



Emergency Power, UPS and CPS Systems



Emergency and Safety Lighting



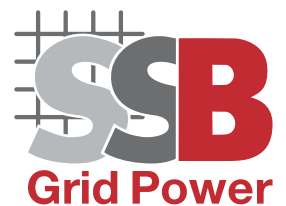
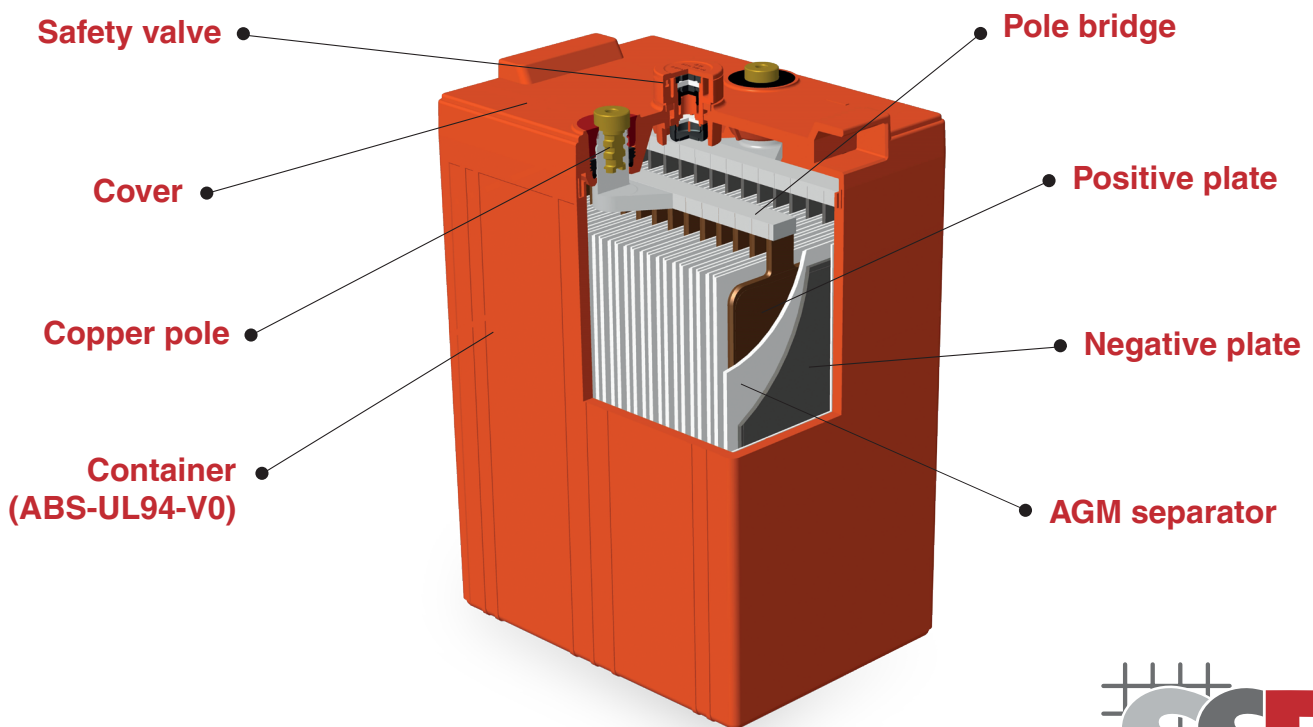
Switchgear

# Grid Power Series

High-temperature lead-acid batteries with high savings potential for energy and maintenance costs

# High-temperature technology

The SSB Grid Power series stands for sealed high-temperature lead-acid batteries representing an excellent product alternative to conventional sealed batteries. The high-temperature lead-acid batteries boast a compact design, high performance and a long service life of 15 years (EUROBAT classification: >12 years, Very Long Life) under extreme ambient temperatures of 35 °C. The SSB Grid Power series is absolutely maintenance-free and offers a 5-year warranty and high savings potential for energy and maintenance costs as well as a reduction of the CO<sub>2</sub> footprint.




## SSB Grid Power Series

The excellent product alternative to conventional batteries operating at high ambient temperatures



# SSB Grid Power Series



- Absolutely maintenance-free high-temperature lead-acid batteries
- Long service life of 15 years at ambient temperatures of 35 °C (EUROBAT classification: >12 years, Very Long Life)
- High savings potential for energy and maintenance costs
- 5 years warranty
- Reduction of the CO<sub>2</sub> footprint 

## Product overview

Product	Volt	1.8 V C10 (Ah)	1.8 V C8 (A)	1.8 V C5 (A)	1.8 V C3 (A)	1.8 V C1 (A)	Art. no.	L x W x H in mm (H incl. terminal)	Weight (kg)	Terminal TT
200-2HT M8V0	2	200	23.8	34.1	50.5	102.1	2037723	170 x 110 x 328 (348)	13.5	M8
300-2HT M8V0	2	300	35.6	51.2	75.8	153.2	2037724	170 x 150 x 328 (348)	18.8	M8
500-2HT M8V0	2	500	59.4	85.3	126.3	255.3	2037725	240 x 175 x 330 (350)	30.0	M8
800-2HT M8V0	2	800	95.0	136.5	202.1	408.5	2037727	410 x 175 x 330 (350)	50.4	M8
1000-2HT M8V0	2	1000	118.8	170.6	252.6	510.6	2037728	475 x 175 x 328 (350)	60.0	M8
1500-2HT M8V0	2	1500	178.1	255.9	379.0	765.9	2037729	403 x 354 x 339 (349)	97.8	M8
2000-2HT M8V0	2	2000	237.5	341.2	505.3	1021.2	2037731	490 x 350 x 339 (349)	121	M8
3000-2HT M8V0	2	3000	356.3	511.8	757.9	1531.8	2037732	709 x 350 x 337 (347)	183	M8

\*The discharge values refer to an ambient temperature of 35 °C.

## Main application areas



Emergency Power,  
UPS and CPS Systems



Emergency and Safety Lighting



Switchgear



Emergency Generator  
with Diesel

---

## Battery-Kutter

Battery-Kutter GmbH & Co. KG  
Robert-Koch-Straße 19a · D-22851 Norderstedt  
Phone: +49 40 611 631-0 · Fax: +49 40 611 631-79  
Email: [info@battery-kutter.de](mailto:info@battery-kutter.de)

[www.battery-kutter.com](http://www.battery-kutter.com)

